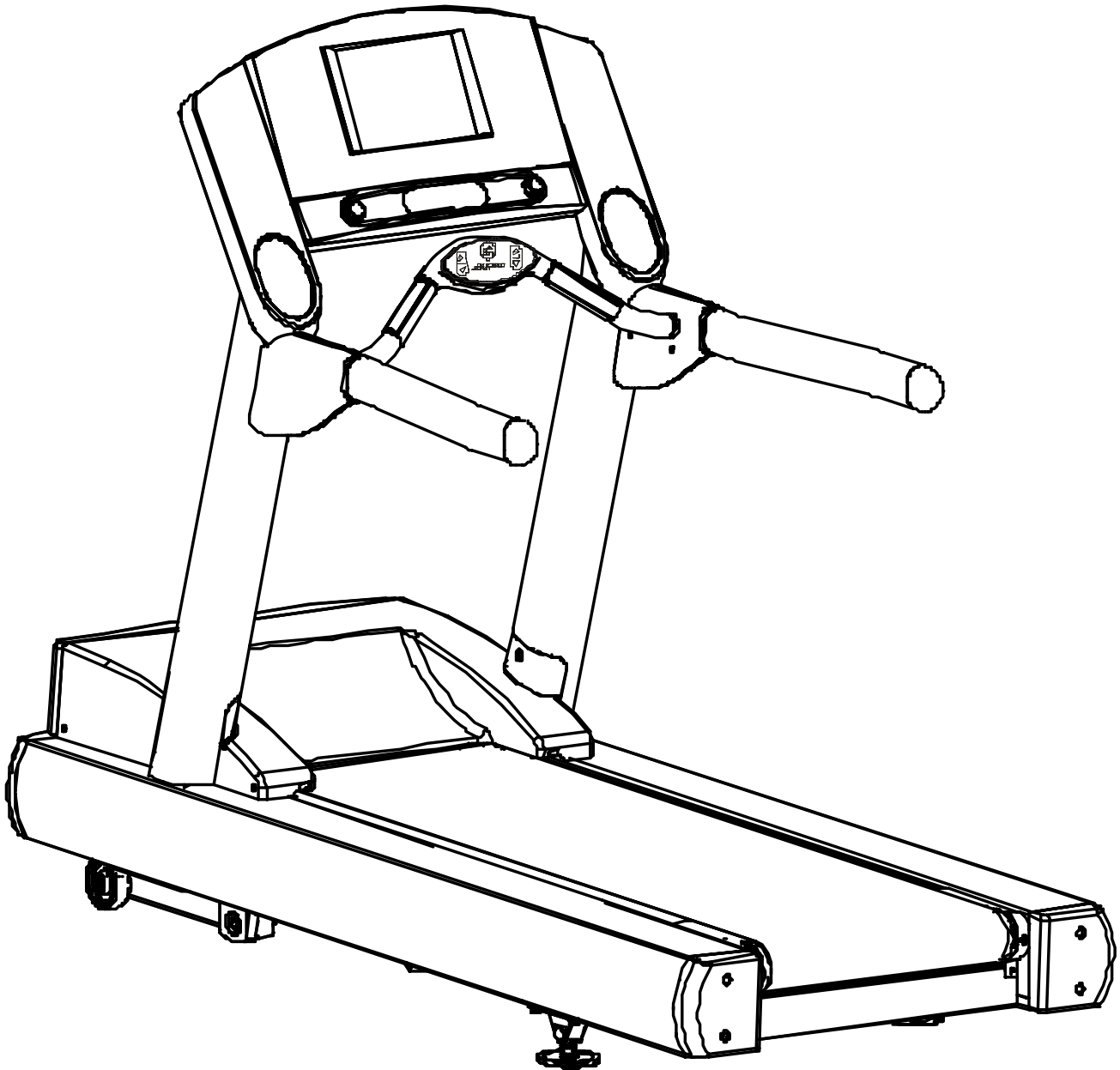


LifeFitness

ARCTIC SILVER 97TE-XXXX-08 TREADMILL



Customer Support Services
PARTS MANUAL rev 30 May 2008

	Page
MISCELLANEOUS PARTS	3
CONSOLE, OVERLAY ASSEMBLY, AND OVERLAY	5
CONSOLE COMPONENTS	6
UPRIGHTS AND HANDRAILS.....	8
ERGO BAR, HEART RATE SENSORS, AND ACTIVITY ZONE	9
A-Z MODULE WITH OVERLAY ASSEMBLY.....	10
REAR ENDCAPS AND CUP HOLDERS	11
MOTOR COVER, FRONT COVER AND, FRONT ENDCAPS	12
SCUFF PAD AND TINSEL.....	13
ON-OFF SWITCH, ACCESS PLATE, AND GROMMETS	14
BELT, DECK, AND REAR ROLLER.....	15
LIFT FRAME AND RECEPTACLE ASSEMBLY	16
LIFT MOTOR ASSEMBLY	17
IDLER ARM ASSEMBLY	18
LEG LEVELER ASSEMBLY	19
FRONT ROLLER ASSEMBLY.....	20
DRIVE MOTOR ASSEMBLY	21
STRIDE SENSOR ASSY AND STRIDE SENSOR PCB ASSEMBLY	22
DSP-CONTROLLER ASSEMBLY	23
LINE-CORDS AND LINE-CORD OPTIONS	24
BLOCK DIAGRAMS	25

ARCTIC SILVER 97TE
MISCELLANEOUS PARTS

97TE-XXXX-08
S/N TSN100000 and up

LANGUAGE	OPERATION MANUAL	INSTRUCTION ASSEMBLY	INSTRUCTION BAG ASSY.	SERVICE MANUAL
ENGLISH	M051-00K58-A276	M051-00K58-A322	AK58-00579-0000	M051-00K58-A254
FRENCH	M051-00K58-A277	M051-00K58-A323	AK58-00579-0001	
PORTUGUESE				
SPANISH				
DUTCH	M051-00K58-A278	M051-00K58-A324	AK58-00579-0002	
GERMAN				
ITALIAN				
JAPANESE	M051-00K58-A279	M051-00K58-A325	AK58-00579-0003	

* All Operation, Instruction assembly & Instruction Bag assembly may not be available.

AK58-00226-0000	Hardware Bag Assembly: MFG;95T/97T	
Item	Description	Qty
OK58-01305-0002	PLUG: UPRIGHT S/C-C	2
OK58-01347-0000	GASKET: ERGOBAR C	2
Only available in the kit	WRENCH: TORX; T27 B	1
0017-00042-0326	GROMMET: PLASTI; .130/.005 S/C#13-B	2
0017-00042-0840	CLIP: WIRE; PUSH-MTG; 3/4"; S/C#80-B	5
0017-00101-1770	8-15X 8 PHL PAN A SS NO B	6
0017-00101-1772	10-16X 8 PHL PAN B ST ZS B	6
0017-00101-1773	1/4 -20X 8 TRX BUT CS SS NO B	6
0017-00101-1774	5/16-18X40 TRX FLT CS ST ZS B	4
0017-00101-1778	1/2 -13X16 UNS HEX CS G5 ZB B	4
0017-00101-1780	8- X20 PHL TRS AB SS NO B	8
0017-00104-0325	WSH 516-.873-125 SL-D ST ZN B	4
0017-00103-0327	NUT 5/16-18 HEX; JAM D ST ZS B	4

ARCTIC SILVER 97TE
MISCELLANEOUS PARTS

97TE-XXXX-08
S/N TSN100000 and up

GK58-00002-0096 KIT: SERV; ROLLER-GUARDS; 97Ti BM		
Part Number	Description	Qty
AK58-00361-0001	GUARD-ASSY: MFG; RT; 5.00 B	1
AK58-00361-0002	GUARD-ASSY: MFG; LT; 5.00 B	1
Only available in the kit	INSTR: SERV; ROLLER-GUARDS +	1
0017-00042-0326	GROMMET: PLASTI; .130/.005 S/C#13-B	2
0017-00042-1147	GROMMET: NYLON; SCREW B	2
0017-00101-1776	10-16X 8 PHL PAN B ST ZB B	4

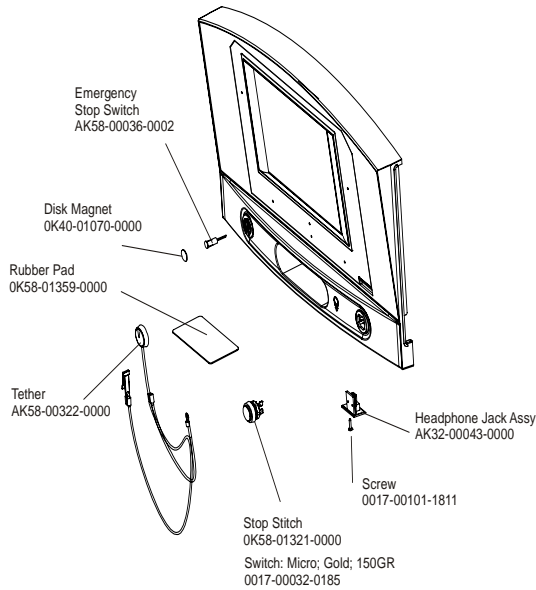
GK58-00002-0071 KIT: SERV; ANTI-SLIP RAIL BM		
Part Number	Description	Qty
Only available in the kit	INSTR:TEMPLT; ANTI-SLIP RAIL B	4
Only available in the kit	INSTR: KIT; ANTI-SLIP RAIL +	1
OK58-01376-0000	RAIL: ANTI-SLIP;STEALTH-GREY E	2
Only available in the kit	PAD: WIPE; ALCOHOL/DRY B	1

TOUCH UP PAINT:	
0017-00008-0204	PAINT: CAN; SPRAY; ARCTIC SILVER
0017-00008-0205	PAINT: BOTTLE; ARCTIC SILVER (.5 OZ)
0017-00008-0206	PAINT: PEN; ARCTIC SILVER (.33 OZ)

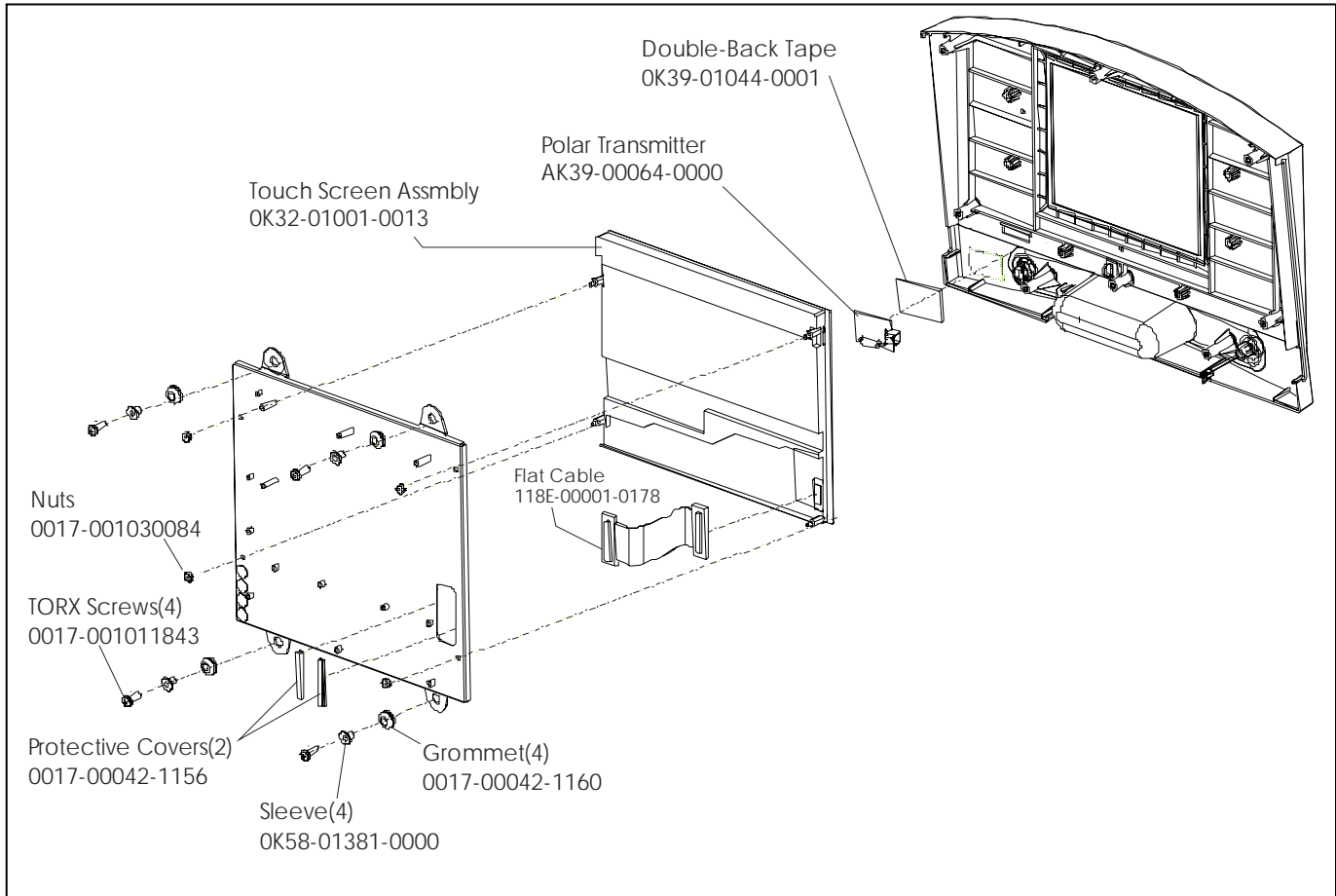
INK TRANSFER TOUCH-UP PAINT: SB No. GN05032101N	
0017-00008-0210	PAINT: TOUCH-UP; SHADOW-GRAY; .6 OZ BTL.
0017-00008-0211	PAINT: TOUCH-UP; SHADOW-GRAY; .6 OZ. PEN

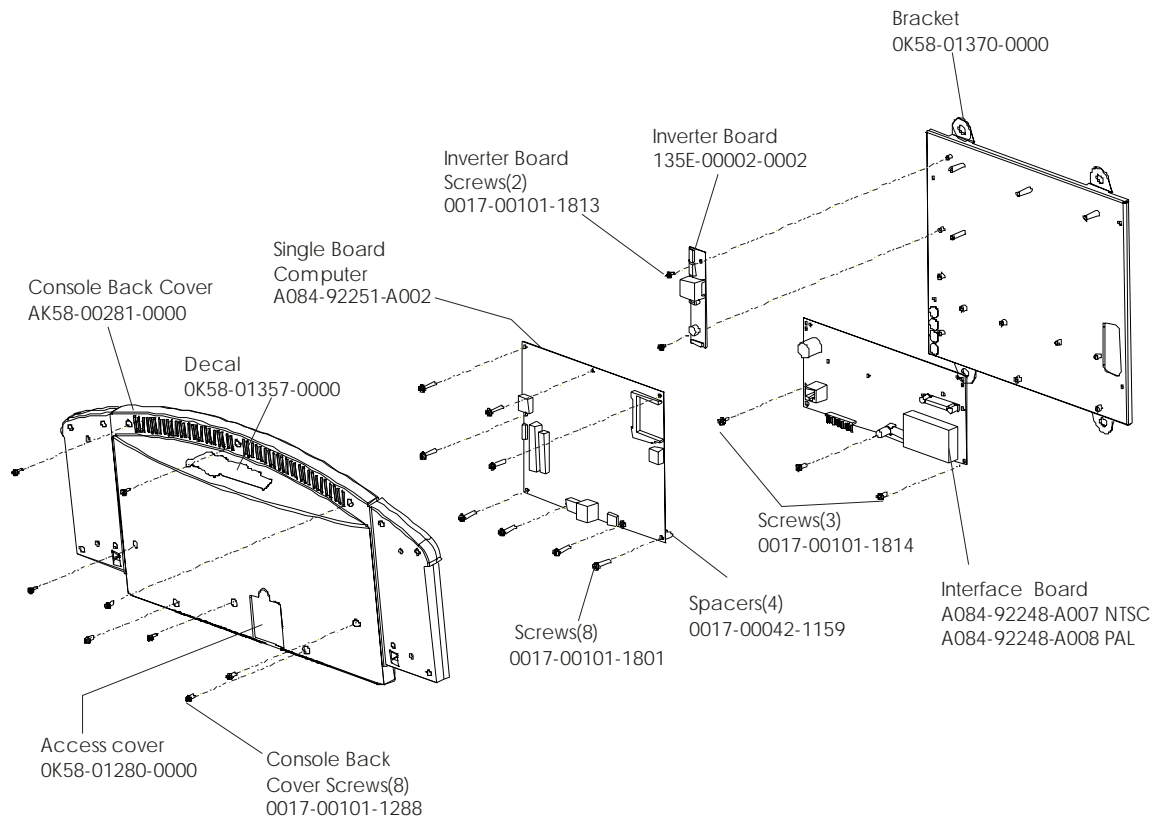
ARCTIC SILVER 97TE
Console, Overlay Assembly, and Overlay

97TE-XXXX-08
S/N TSN100000 and up



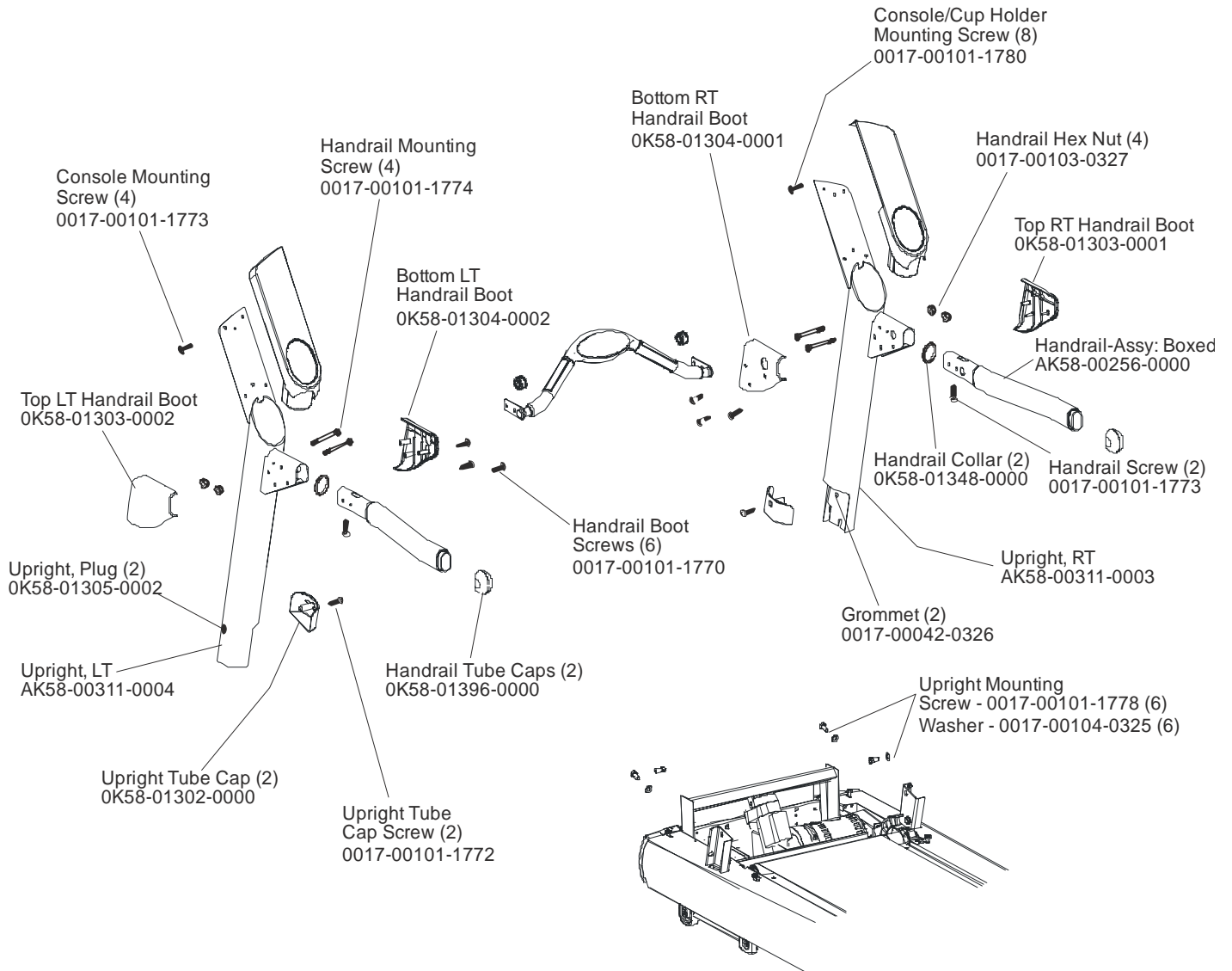
LANGUAGE		CONSOLE ASSEMBLY	OVERLAY BEZEL ASSEMBLY	OVERLAY
NTSC	ENGLISH	GK58-00002-0099	AK58-00516-0001	OK58-01377-0001
	SPANISH	GK58-00002-0100	AK58-00516-0004	OK58-01377-0004
	JAPANESE	GK58-00002-0101	AK58-00516-0006	OK58-01377-0006
	FRENCH	GK58-00002-0102	AK58-00516-0007	OK58-01377-0007
PAL	ENGLISH	GK58-00002-0104	AK58-00517-0001	OK58-01377-0001
	GERMAN	GK58-00002-0105	AK58-00517-0003	OK58-01377-0003
	SPANISH	GK58-00002-0106	AK58-00517-0004	OK58-01377-0004
	FRENCH	GK58-00002-0107	AK58-00517-0007	OK58-01377-0007
	ITALIAN	GK58-00002-0108	AK58-00517-0008	OK58-01377-0008
	DUTCH	GK58-00002-0109	AK58-00517-0009	OK58-01377-0009





ARCTIC SILVER 97TE
Uprights and Handrails

97TE-XXXX-08
S/N TSN100000 and up

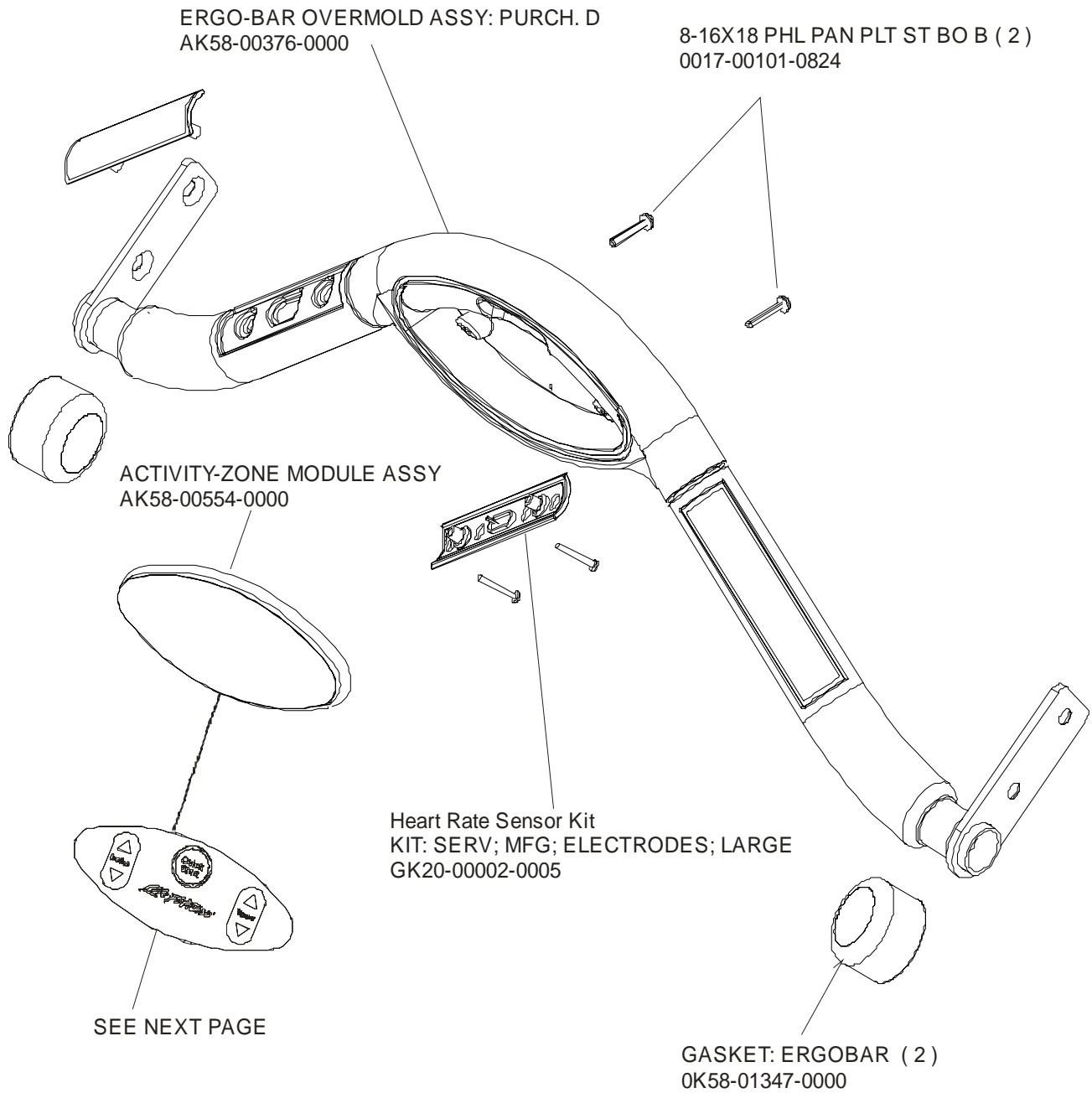


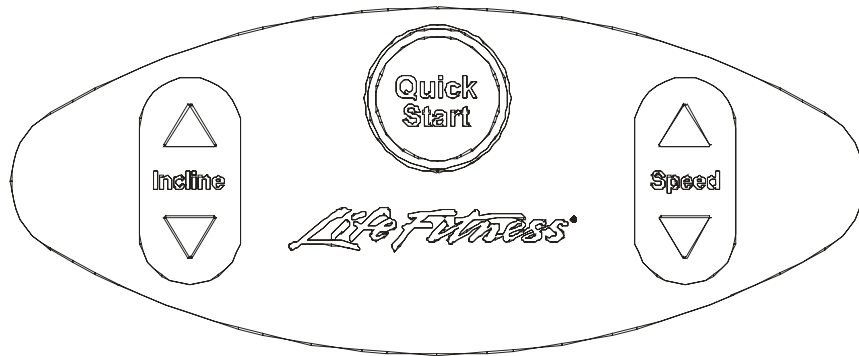
ARCTIC SILVER 97TE

97TE-XXXX-08

Ergo Bar, Heart Rate Sensors, and Activity Zone

S/N TSN100000 and up



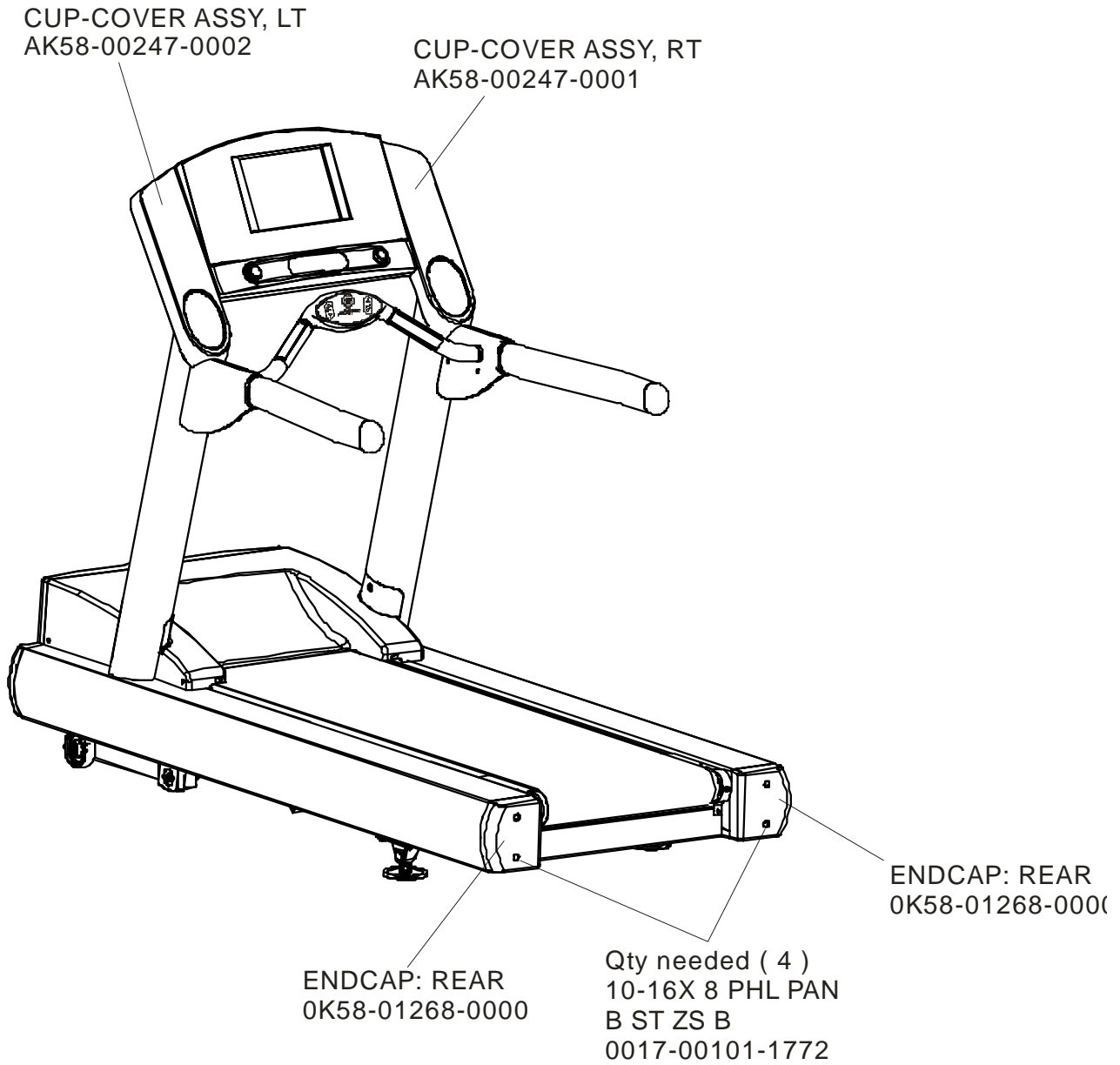


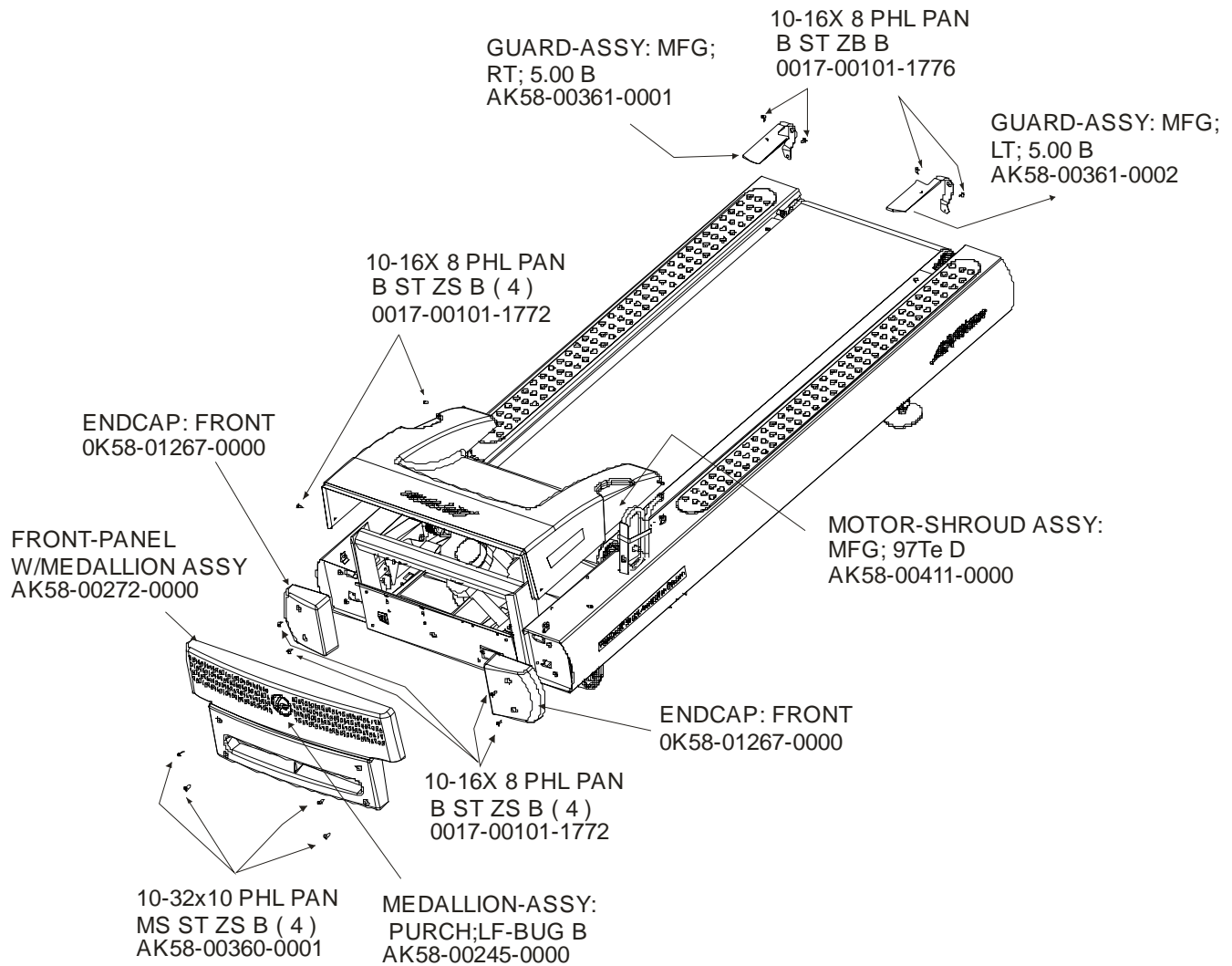
LANGUAGE	A-Z MODULE W/OVERLAY ASSY	AZ OVERLAY
ENG/ENG	AK58-00556-0001	OK58-01461-0001
ENG+MET	AK58-00556-0002	OK58-01461-0002
GERMAN	AK58-00556-0003	OK58-01461-0003
SPANISH	AK58-00556-0004	OK58-01461-0004
JAPANESE	AK58-00556-0006	OK58-01461-0006
FRENCH	AK58-00556-0007	OK58-01461-0007
ITALIAN	AK58-00556-0008	OK58-01461-0008
DUTCH	AK58-00556-0009	OK58-01461-0009

*All Console, Overlay/Bezel Assembly or Overlay may not be available.

ARCTIC SILVER 97TE
Rear End Caps and Cup Holders

97TE-XXXX-08
S/N TSN100000 and up



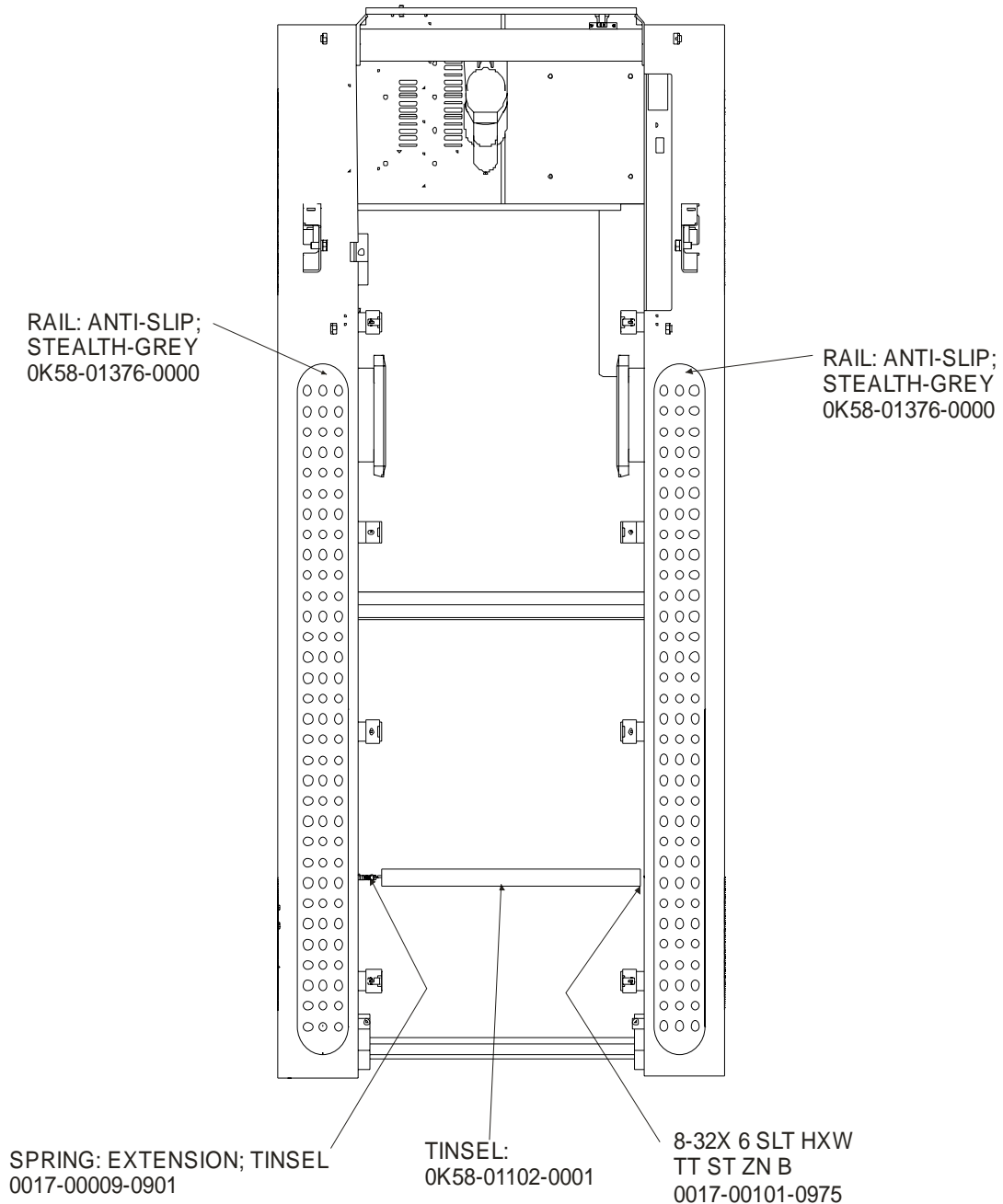


ARCTIC SILVER 97TE

Scuff Pad and Tinsel

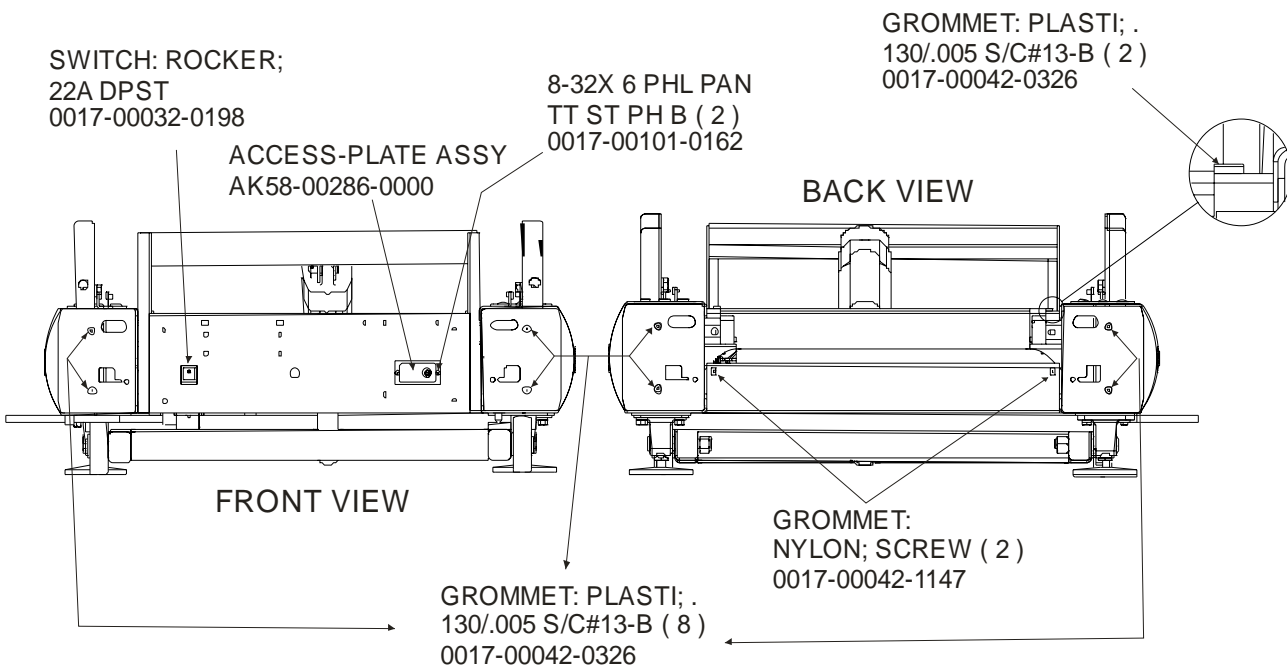
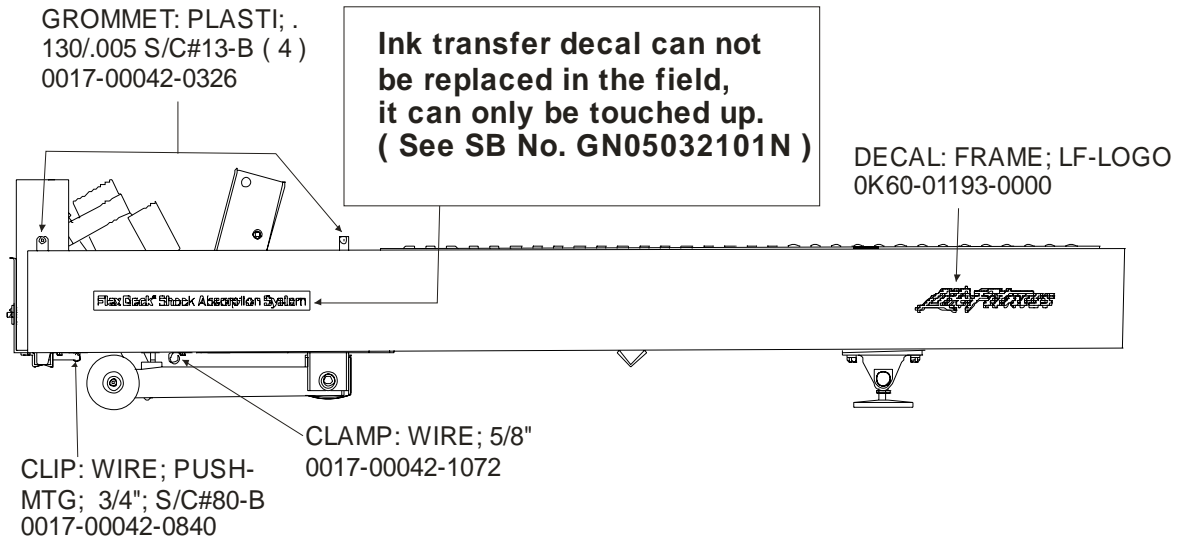
97TE-XXXX-08

S/N TSN100000 and up



ARCTIC SILVER 97TE
On-Off Switch, Access Plate, and Grommets

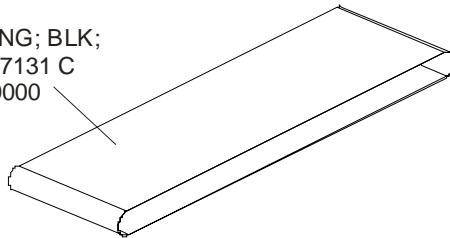
97TE-XXXX-08
S/N TSN100000 and up



ARCTIC SILVER 97TE
Belt, Deck, and Rear Roller

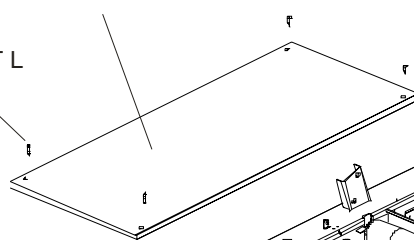
97TE-XXXX-08
S/N TSN100000 and up

BELT: WALKING; BLK;
 W/LOGO; NP7131 C
 0K58-01397-0000



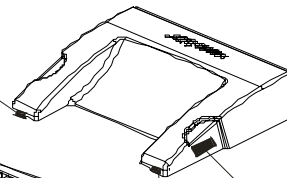
LBL: BELT-LIMIT; LT.
 M051-00K58-A101

DECK: TREADMILL; WAXLESS
 0K58-01091-0002

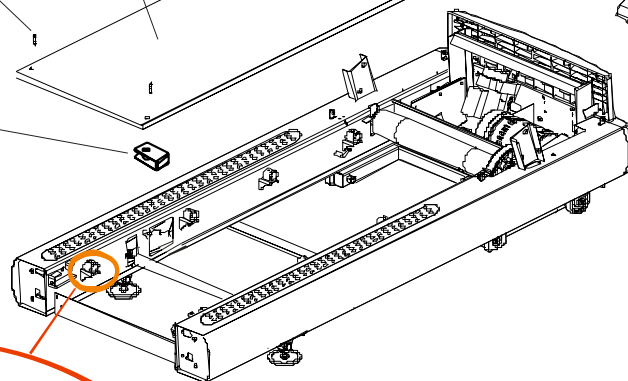


1/4 -20x20 HXS FLT L
 CS ST ZB B (4)
 0017-00101-1775

NUT 1/4 -20 TINNEMAN
 D ST ZN B (4)
 0017-00103-0198

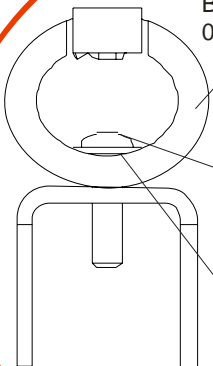


LBL: CAUTION;
 HI-VOLT;ENG+FRN B
 M051-00K58-A014



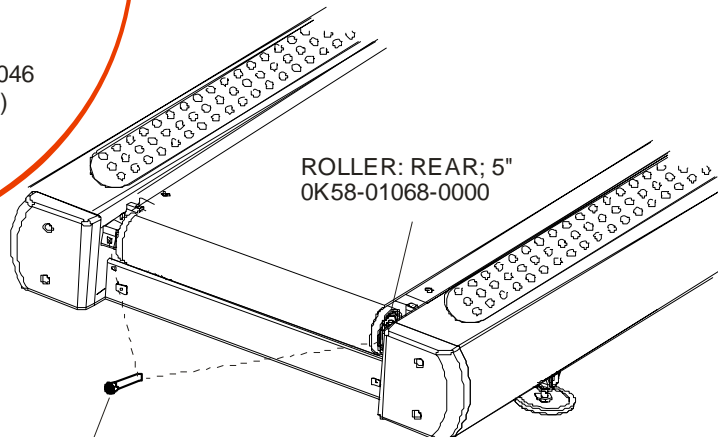
LBL: BELT-LIMIT; RT.
 M051-00K58-A100

SPRING: TECSPAK,
 BLACK S/C-B (8)
 0K40-01026-0002



1/4 -20X16 HXS BUT
 L CS G8 BO B (8)
 0017-00101-1652

WSH 255-.562-046
 FL-D ST ZN B (8)
 0017-00104-0072

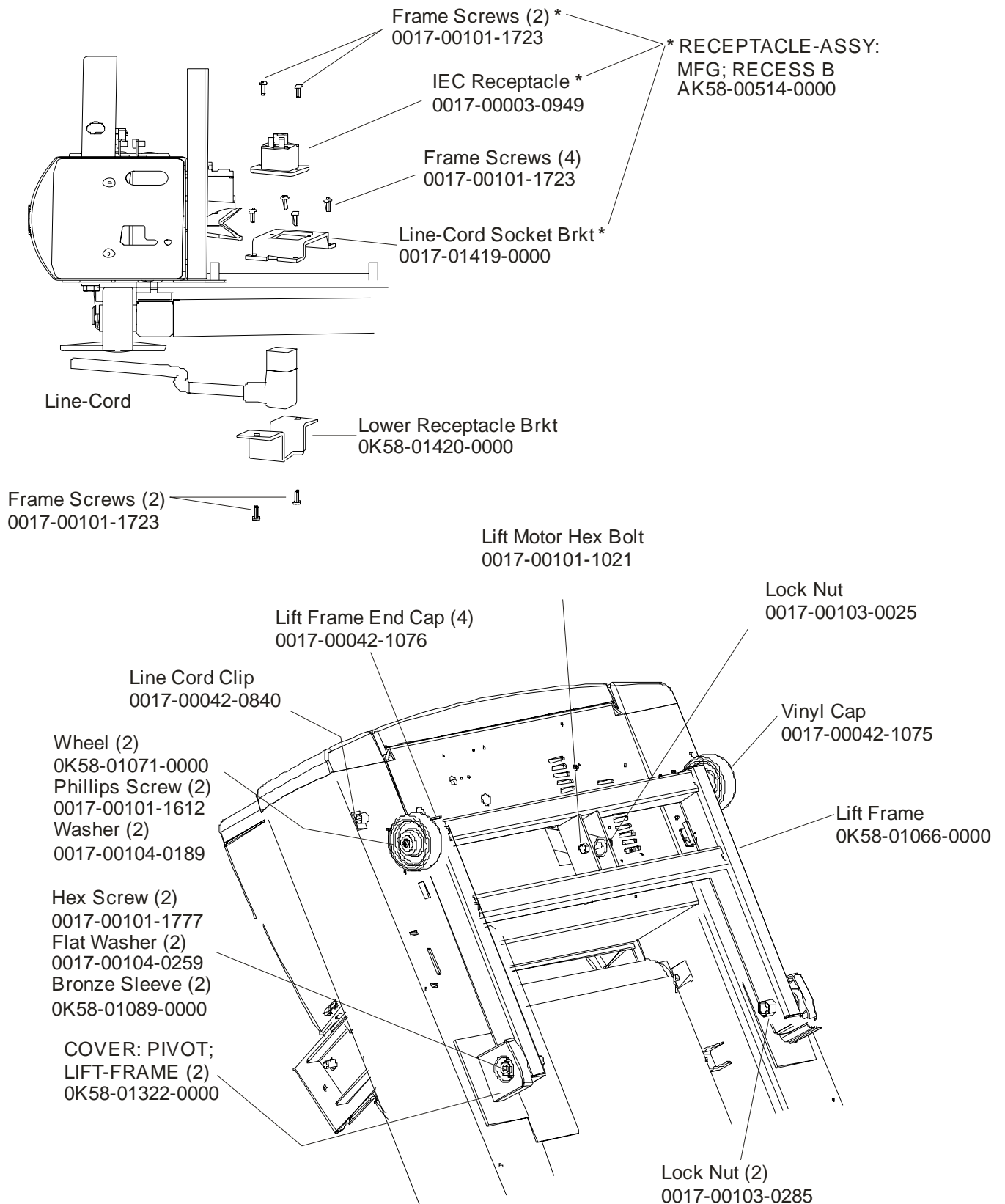


ROLLER: REAR; 5"
 0K58-01068-0000

Rear Roller Adjusting Bolt (2)
 3/8 -16X48 HEX SOC L CS ST SS B
 0017-00101-1880

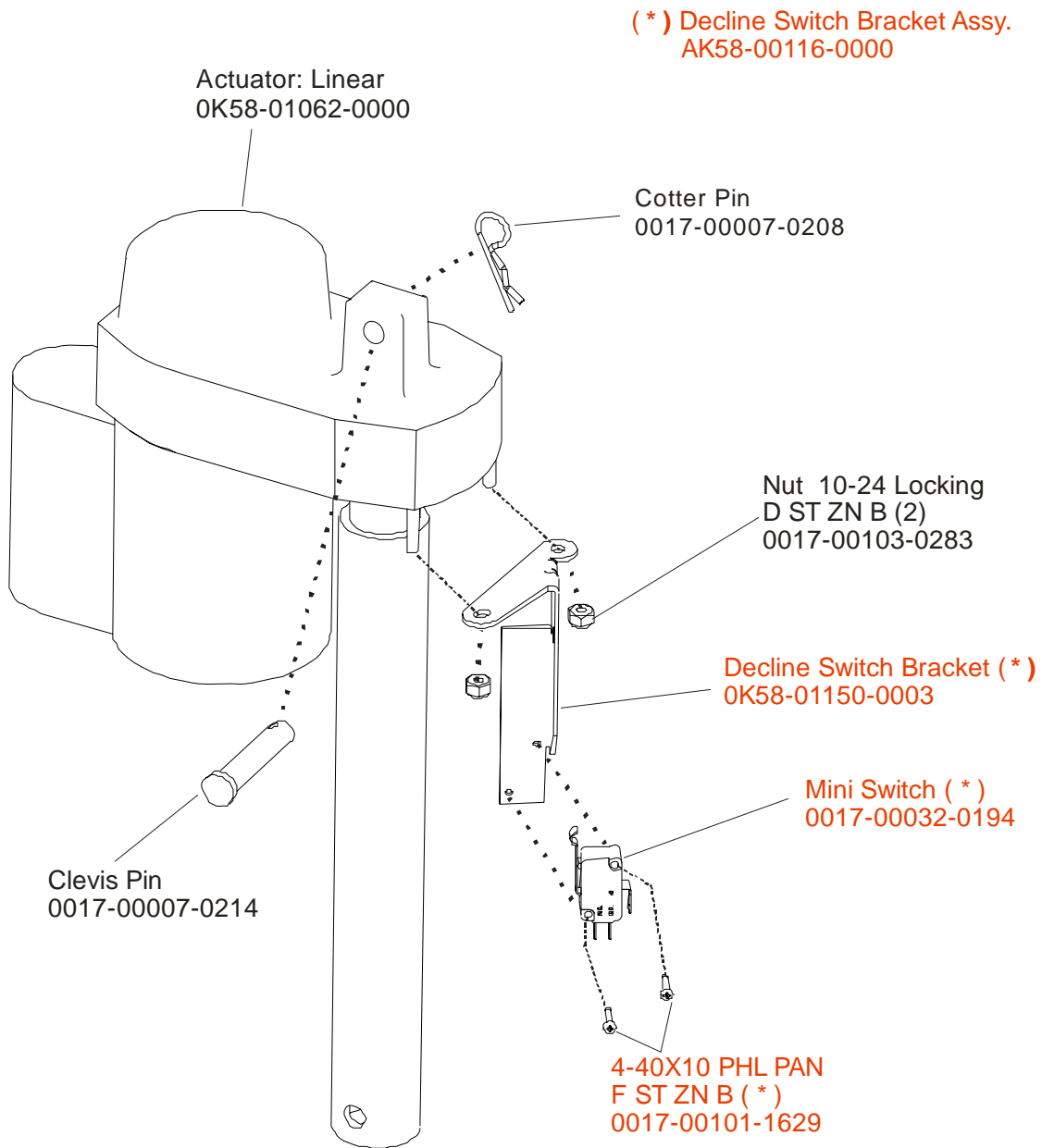
ARCTIC SILVER 97TE
Lift Frame and Receptacle Assembly

97TE-XXXX-08
S/N TSN100000 and up



ARCTIC SILVER 97TE
Lift Motor Assembly - AK58-00075-0000

97TE-XXXX-08
S/N TSN100000 and up

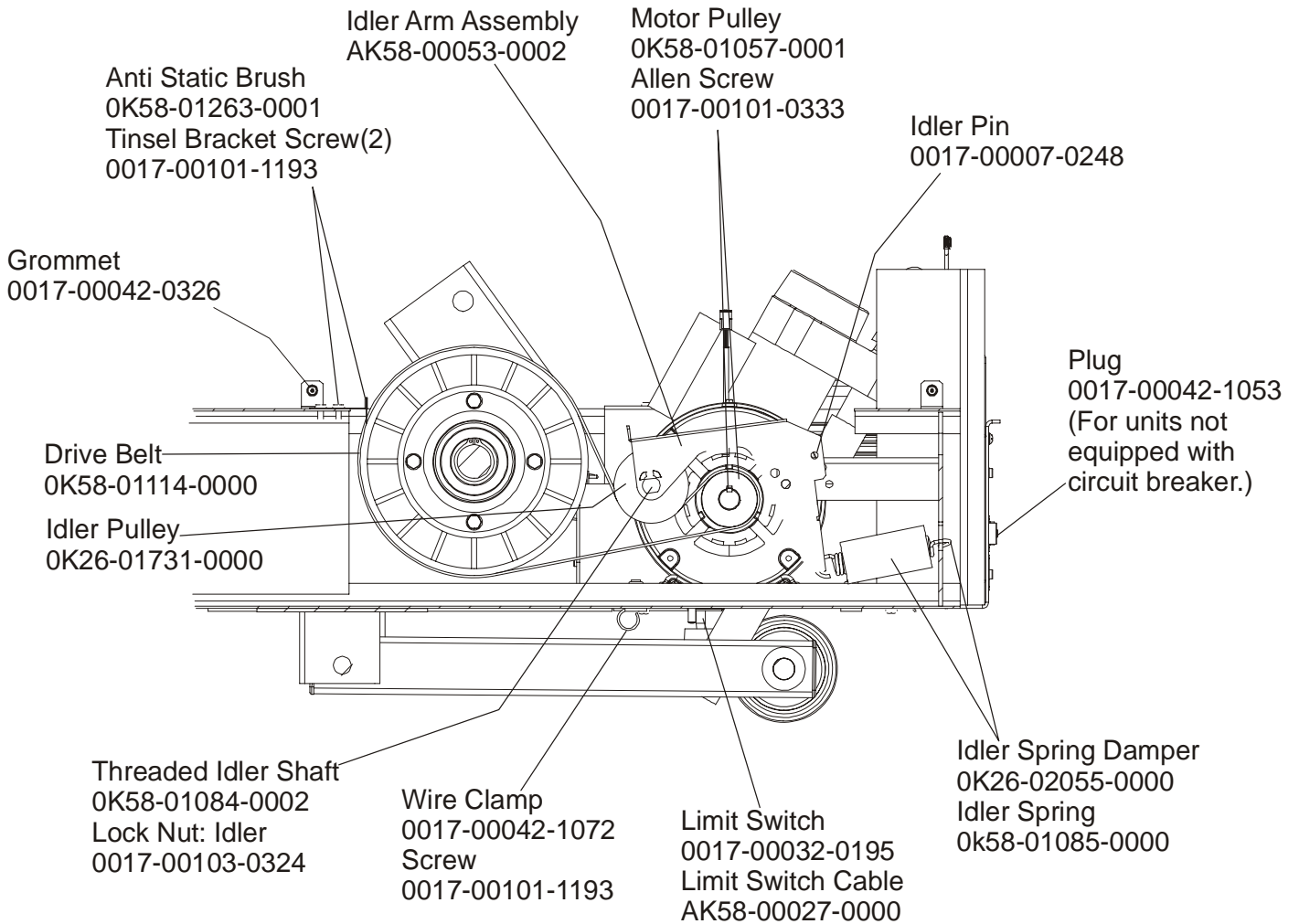


ARCTIC SILVER 97TE

Idler Arm Assembly

97TE-XXXX-08

S/N TSN100000 and up

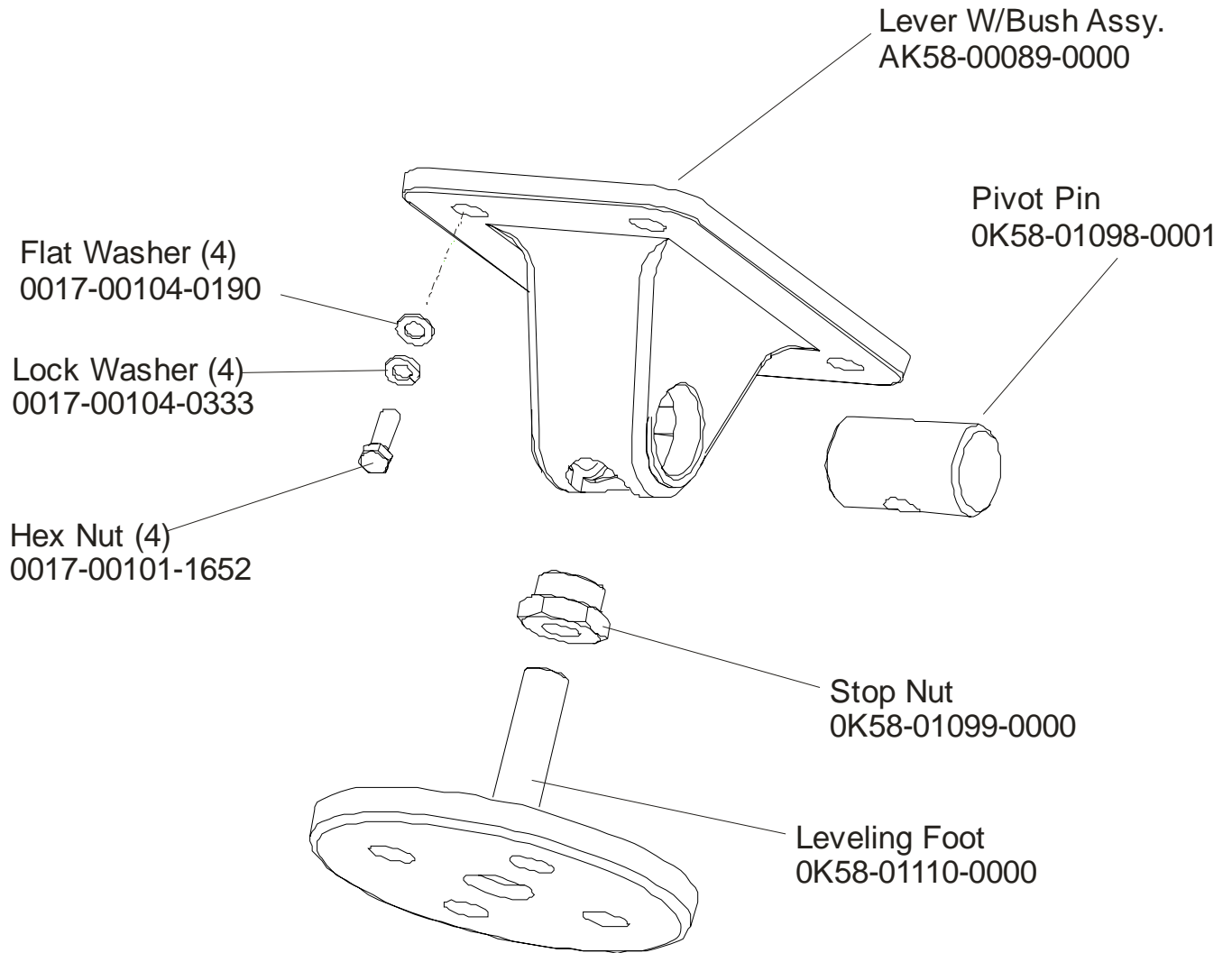


ARCTIC SILVER 97TE

Leg Leveler Assembly – AK58-00464-0000

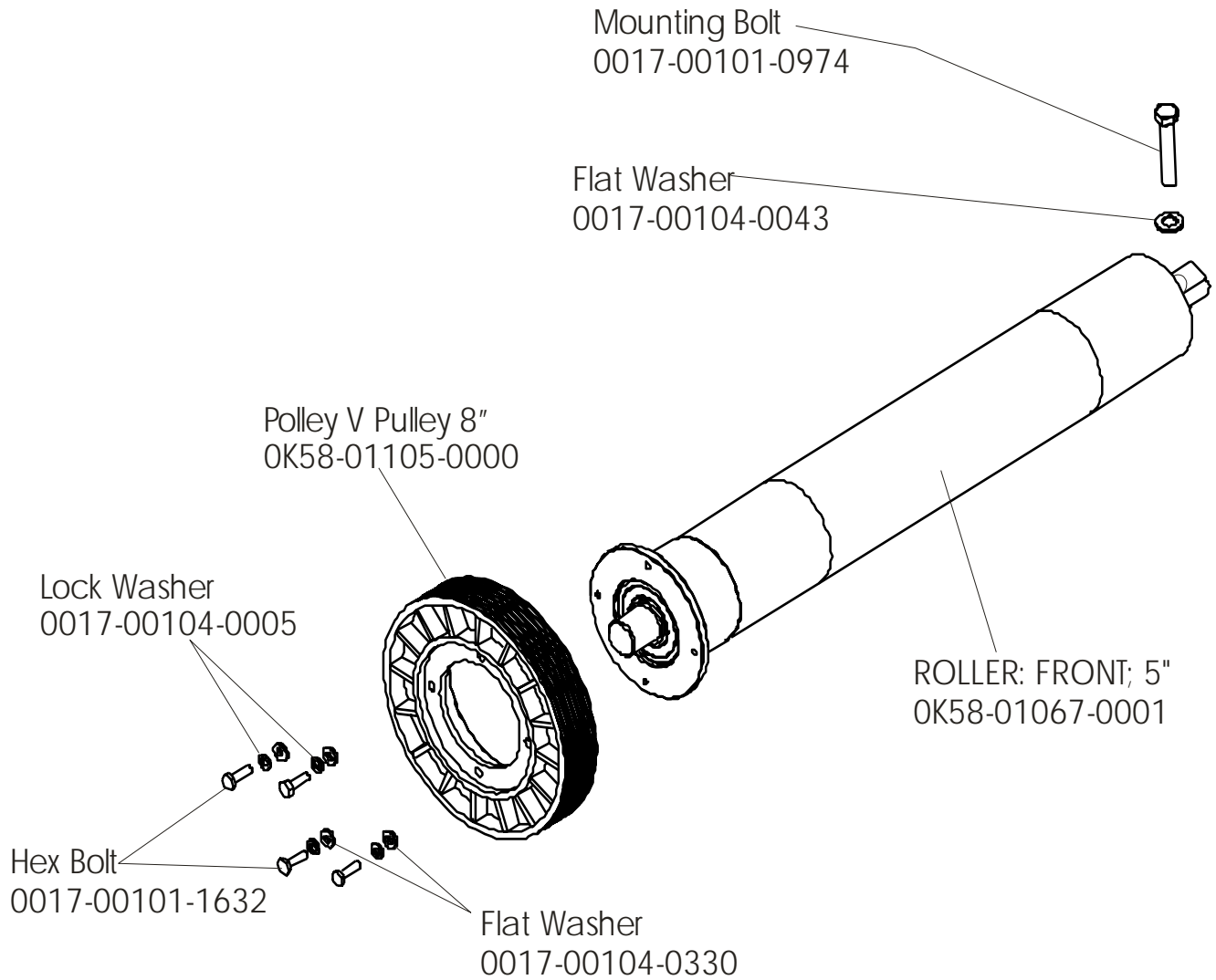
97TE-XXXX-08

S/N TSN100000 and up



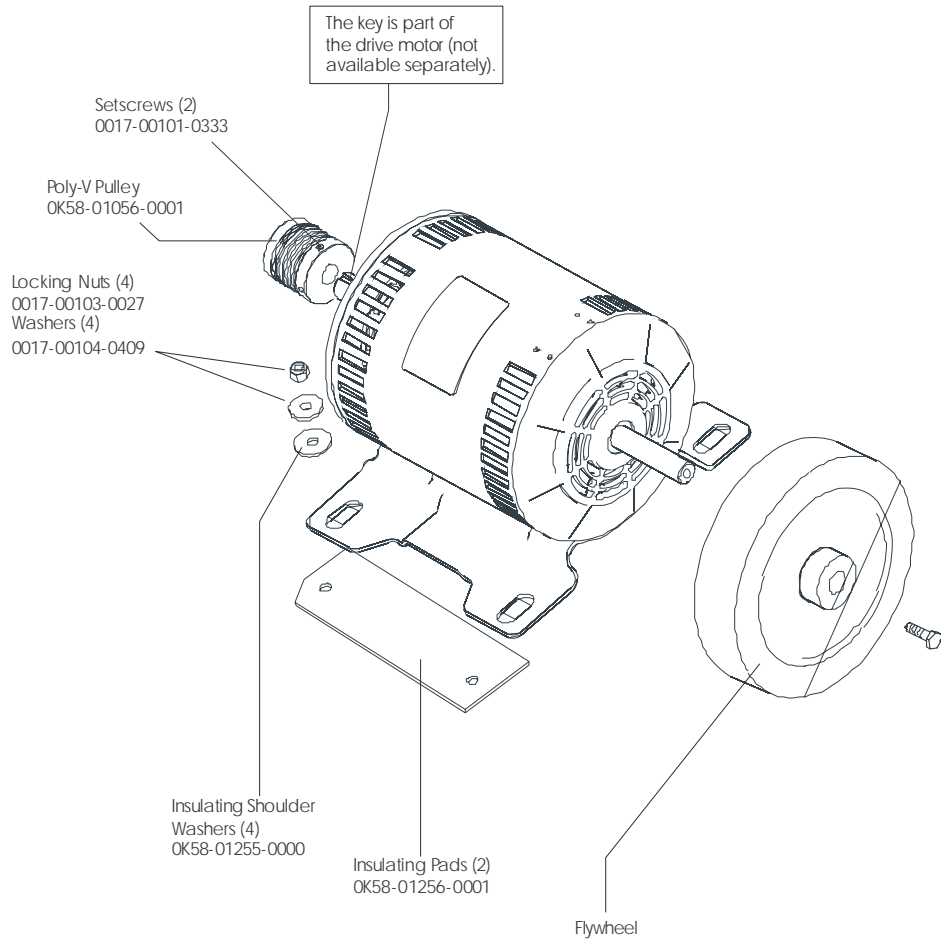
ARCTIC SILVER 97TE
Front Roller Assembly – AK58-00067-0000

97TE-XXXX-08
S/N TSN100000 and up



ARCTIC SILVER 97TE
Drive Motor Assembly

97TE-XXXX-08
S/N TSN100000 and up



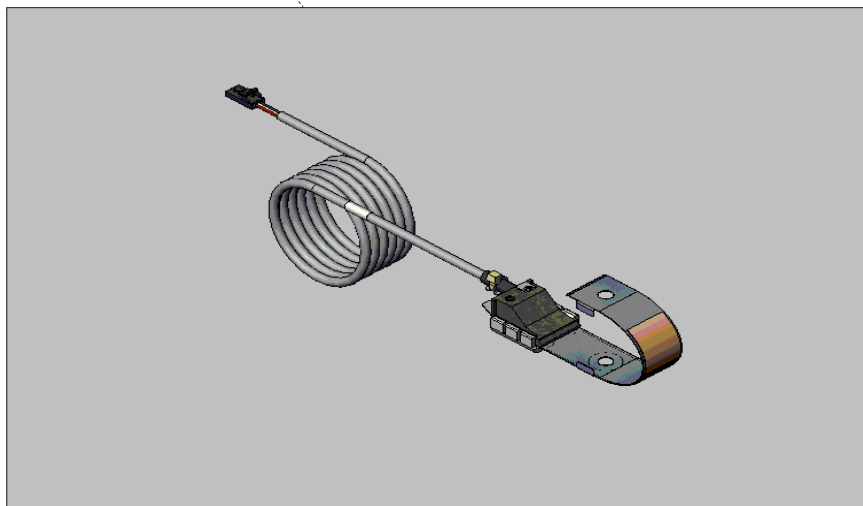
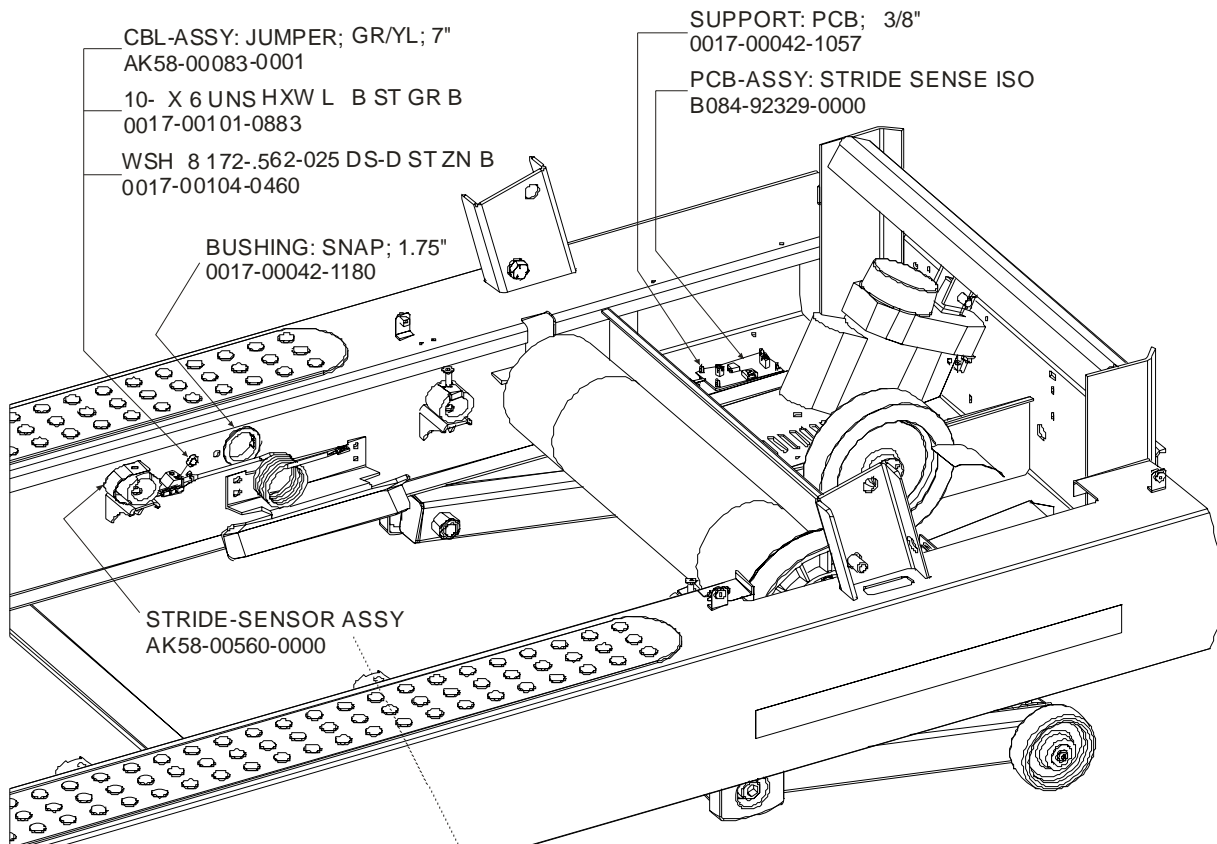
Description	Part Nos.	
	S/N TSN100000, TSN100001	S/N TSN100002 and up
Drive Motor Assembly	AK58-00171-0001 (dual cable)	AK58-00171-0002 (tapered shaft)
Cast Iron Flywheel	OK58-01092-0002	OK58-01092-0004
Flywheel Setscrews/Bolt	0017-00101-0975 (uses setscrews)	0017-00101-1885 (uses bolt)

Ref: technical bulletin TR07060101N

ARCTIC SILVER 97TE

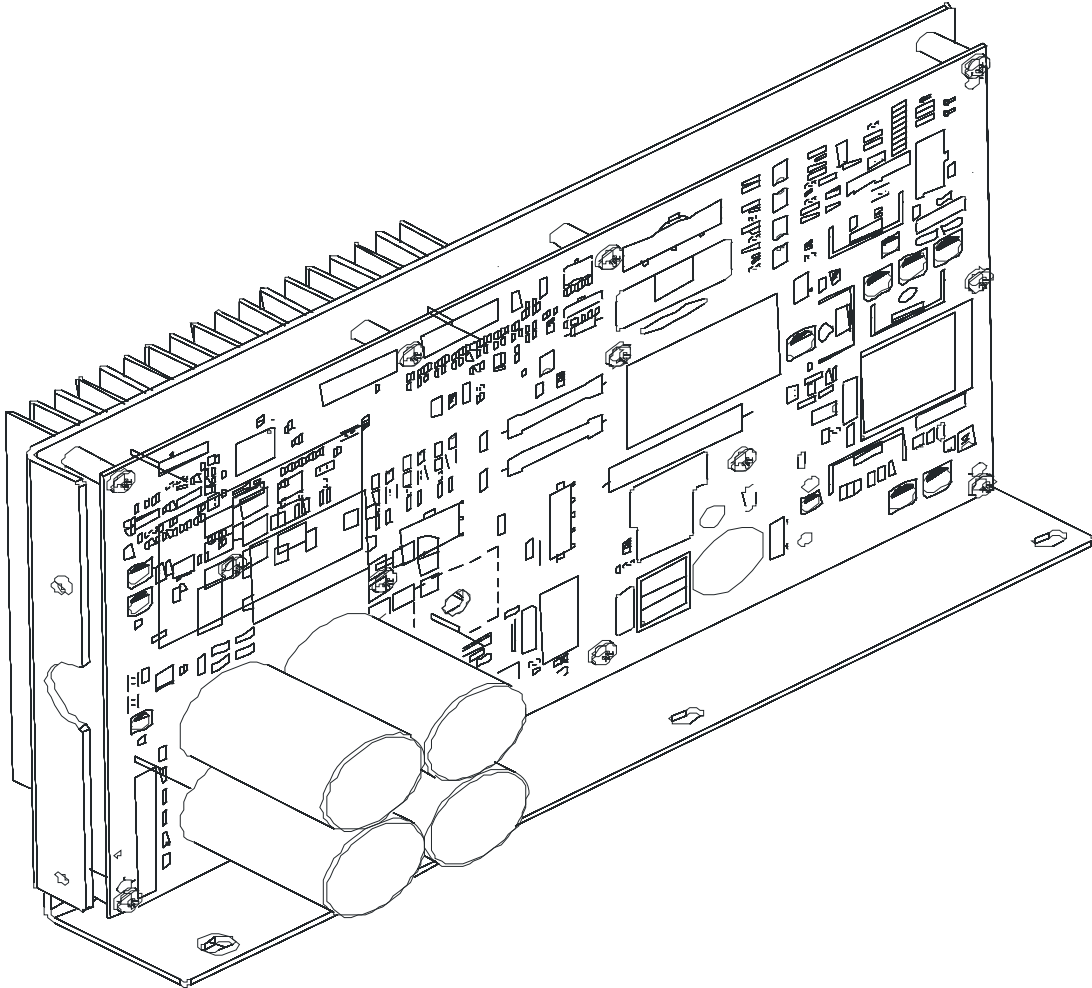
Stride Sensor Assembly and Stride Sensor PCB Assembly

97TE-XXXX-08
S/N TSN100000 and up



ARCTIC SILVER 97TE
DSP-Controller Assembly

97TE-XXXX-08
S/N TSN100000 and up



VOLTAGE	PART NUMBER	PART DESCRIPTION
100-120	GK58-00002-0119	KIT: SERV; MFG; DSP CONTROLLER 100-120; LCD
200-240	GK58-00002-0121	KIT: SERV; MFG; DSP CONTROLLER 200-240; LCD

ARCTIC SILVER 97TE
Line Cords and Line Cord Options

97TE-XXXX-08
S/N TSN100000 and up

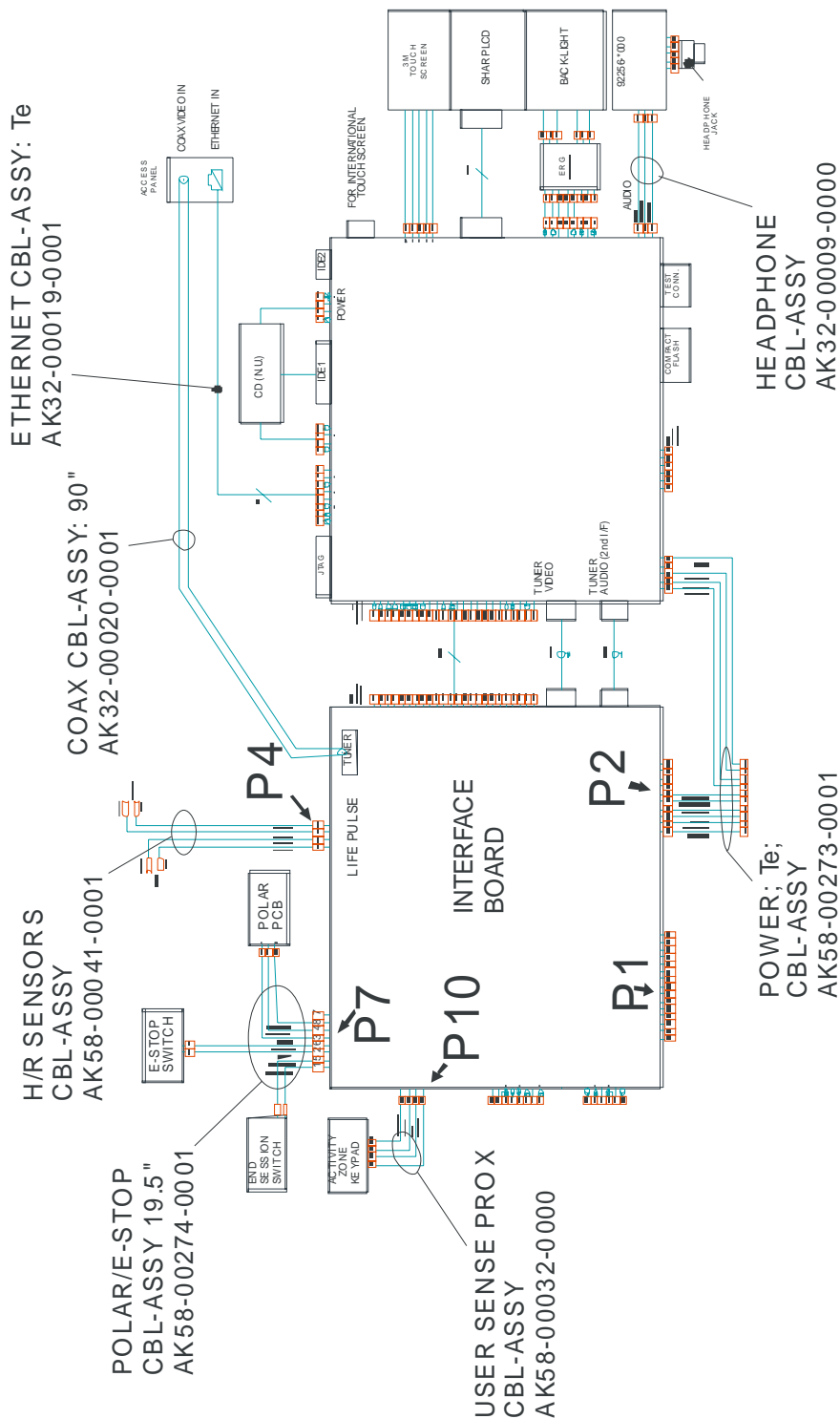
MODEL #	MODEL DESCRIPTION	STANDARD LINE CORDS
97TE-0100-07	97Te ENG+MET 120/60 DOM NTSC	0017-00003-0974 LINE-CORD: R/A; 96"; W/RECP S/C-C
97TE-0300-07	97Te FRN/MET 120/60 DOM NTSC	
97TE-0400-07	97Te SPN/MET 120/60 DOM NTSC	
97TE-0800-07	97Te POR/MET 120/60 DOM NTSC	
97TE-0103-07	97Te ENG+MET 220/60 DOM NTSC	0017-00003-0781 LINE-CORD: R/A; 220V; USA D
97TE-0105-07	97Te ENG+MET 100/50 DOM NTSC	
97TE-0106-07	97Te ENG+MET 200/50 DOM NTSC	
97TE-0705-07	97Te JAP/MET 100/50 DOM NTSC	
97TE-0706-07	97Te JAP/MET 200/50 DOM NTSC	
97TE-0101-07	97Te ENG+MET 230/50 CON PAL	0017-00003-0696 LINE-CORD: R/A; CEE7; 103" 10A 250V D
97TE-0701-07	97Te GER/MET 230/50 CON PAL	
97TE-0301-07	97Te FRN/MET 230/50 CON PAL	
97TE-0401-07	97Te SPN/MET 230/50 CON PAL	
97TE-0501-07	97Te ITL/MET 230/50 CON PAL	
97TE-0601-07	97Te DUT/MET 230/50 CON PAL	
97TE-0801-07	97Te POR/MET 230/50 CON PAL	
97TE-1601-07	97Te ENG/TUR 230/50 CON PAL	
97TE-0102-07	97Te ENG+MET 240/50 UK PAL	0017-00003-0890 LINE-CORD: U.K; R/A
97TE-0109-07	97Te ENG+MET 230/50 UK PAL	
97TE-0104-07	97Te ENG+MET 240V+ AUS PAL	0017-00003-0996 LINE-CORD: IEC; AUSTRALIAN; 230/50 C

OPTIONAL LINE-CORDS		
0017-00003-0947	LINE-CORD: 120V; 20A;	12'
0017-00003-0915	LINE-CORD: R/A 120V	8'
0017-00003-0980	LINE-CORD: R/A; NEMA 5-20 144"	12'
0017-00003-0981	LINE-CORD: R/A; W/PLUG 220/60	7.5'
0017-00003-0948	LINE-CORD: 220V; 15A;	12'

ARCTIC SILVER 97TE

Block Diagram

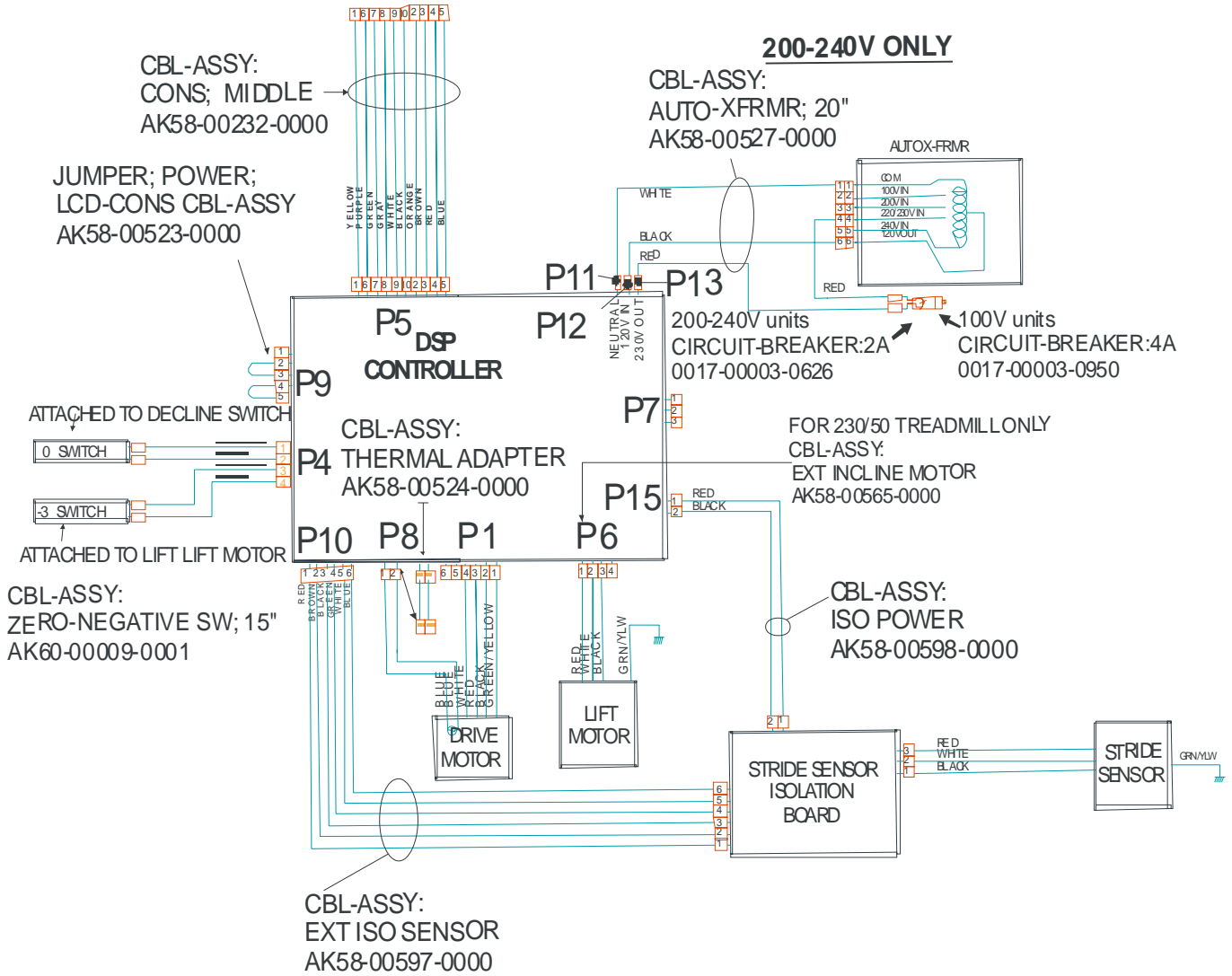
97TE-XXXX-08
S/N TSN10000 and up



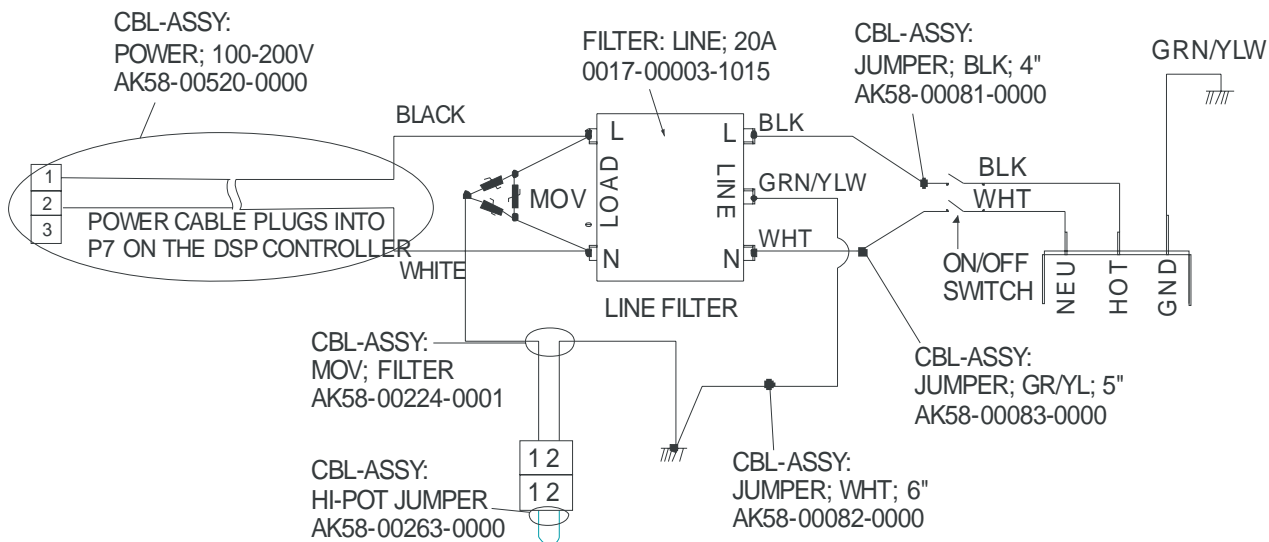
ARCTIC SILVER 97TE

Block Diagram

97TE-XXXX-08
S/N TSN100000 and up



120V DOMESTIC



200-240V ONLY

